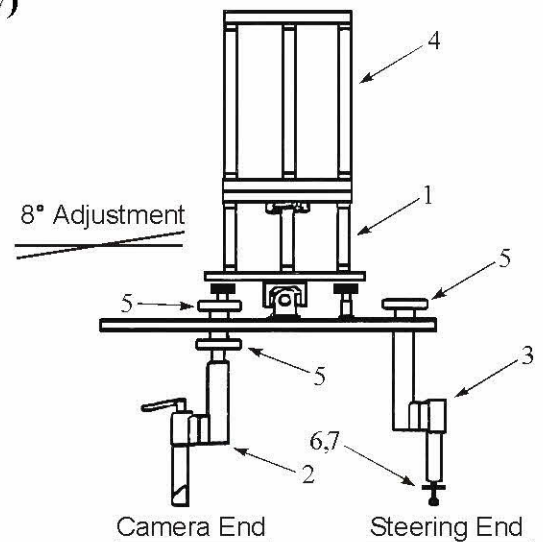


Center Mount Installation Procedure (Model 11 Dolly Only)

August 31, 2004 Rev. 05

Center Mount Parts List

Item	Quantity	Description
1	1	Center Mount Assembly
2	2	Adjusting Support, Long Threaded Stem
3	2	Level Support, Short Threaded Stem
4	1	Camera Riser, RJ12 (12 Inch)
5	6	Knob, Threaded
6	2	Plate Washer
7	2	Screw, Socket Head 3/8-16 x 1 1/4"
8	1	Hex Key 5/16 (Not Shown)



CAUTION: Maximum load on center mount is 900 lbs. (408.23 kg). Before installing center mount, read instructions carefully.

To avoid injury to personnel or damage to the dolly, the lift beam must be deactivated. Raise and lower the beam until the pressure gauge reads zero, with the beam down. Unlatch the hydraulic control safety lock.

1. Insert the level supports (3) into the side rail seat sockets at the steering end of the dolly. Insert the adjusting supports (2) into the side rail seat socket at the camera end of the dolly. Screw the two threaded knobs (5) upside down, half way down the threaded stems.
2. Place the center mount assembly (1) on the four supports with the slotted holes toward the camera end of the dolly.
3. Fasten the center mount plate at the steering end of the dolly with the two threaded knobs (5). Tighten securely.
4. At the camera end of the dolly, thread the two knobs (5) up until they touch the plate. Install the two remaining knobs (5). Tighten securely.
5. To secure the center mount to the dolly:
 - (a) Push the locking lever(s) down on the Adjusting Supports (2) at the camera end of the dolly.
 - (b) Use the two 3/8-16 x 1 1/4" screws (7) and two plate washers (6) to fasten the supports from the bottom of the side rail. Tighten securely using 5/16 Hex key (8).
6. Level the complete assembly by adjusting knobs (5) at the camera end of the dolly. Tighten securely.
7. Level the riser (4) by adjusting the four screws located on top of the center mount assembly (1). Center the bubble in the level indicator.